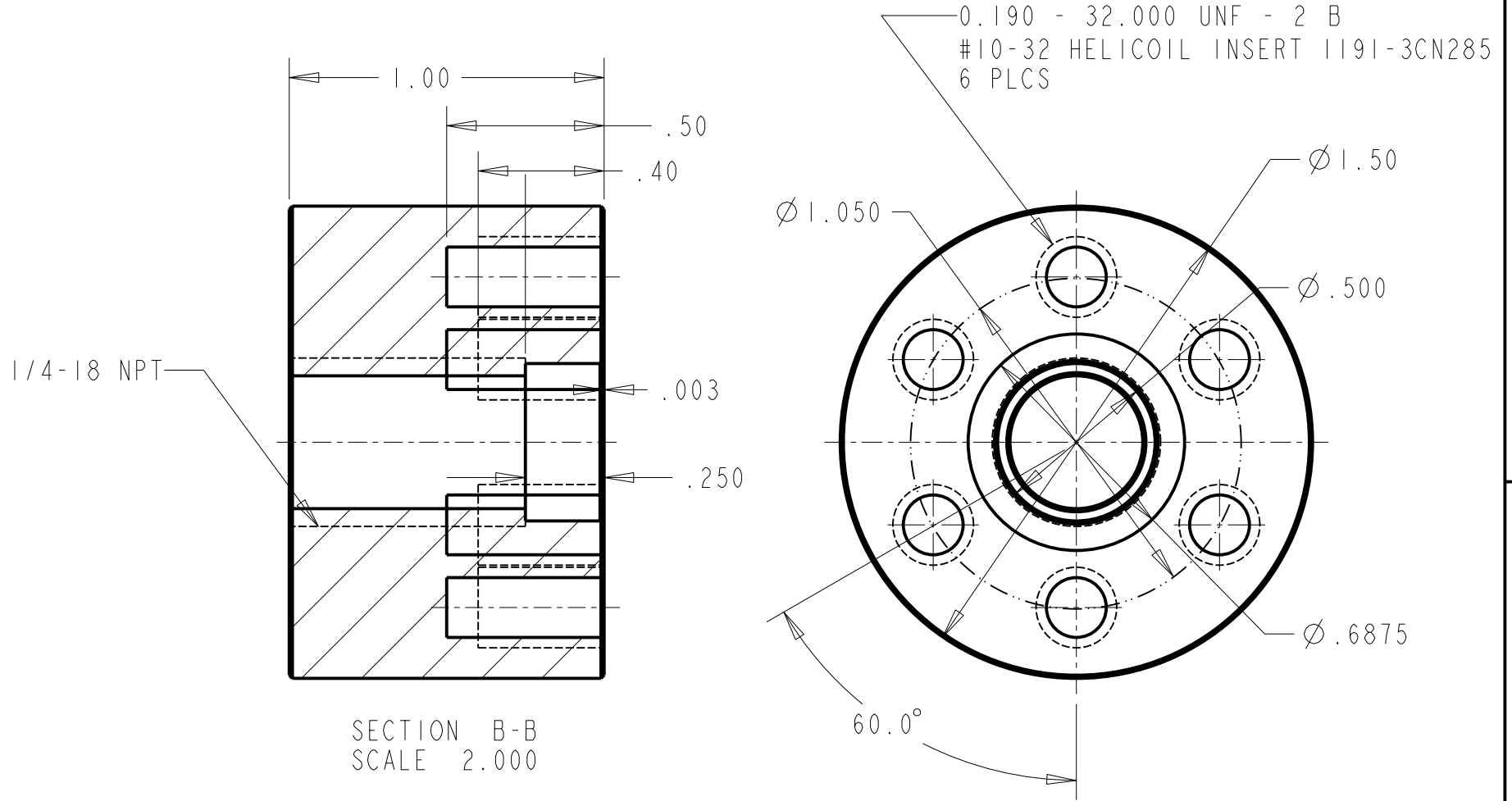


Use approx. 15 in-lb of torque for aluminum discs



Burst Disk Holder - 1/2 Inch